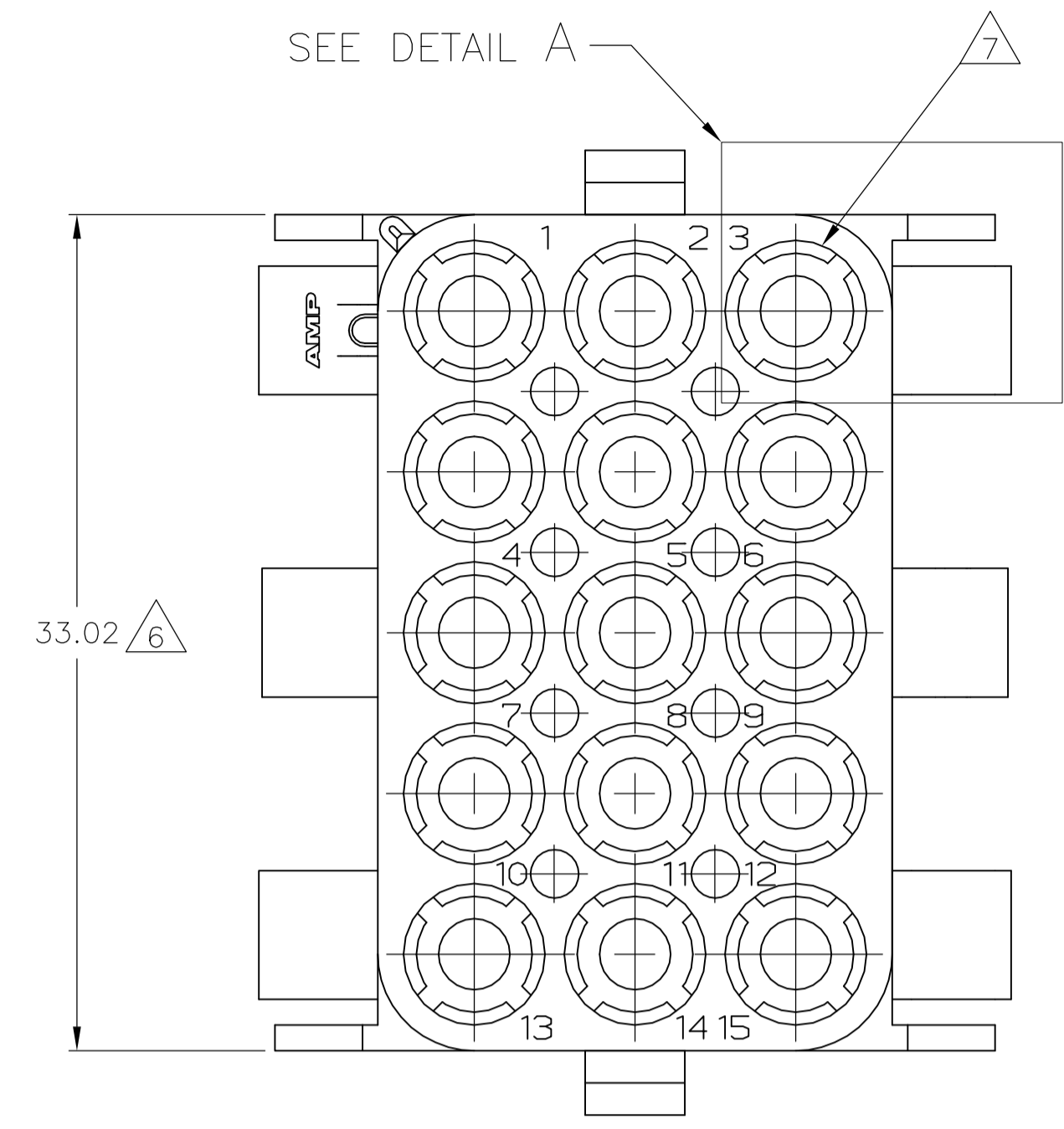
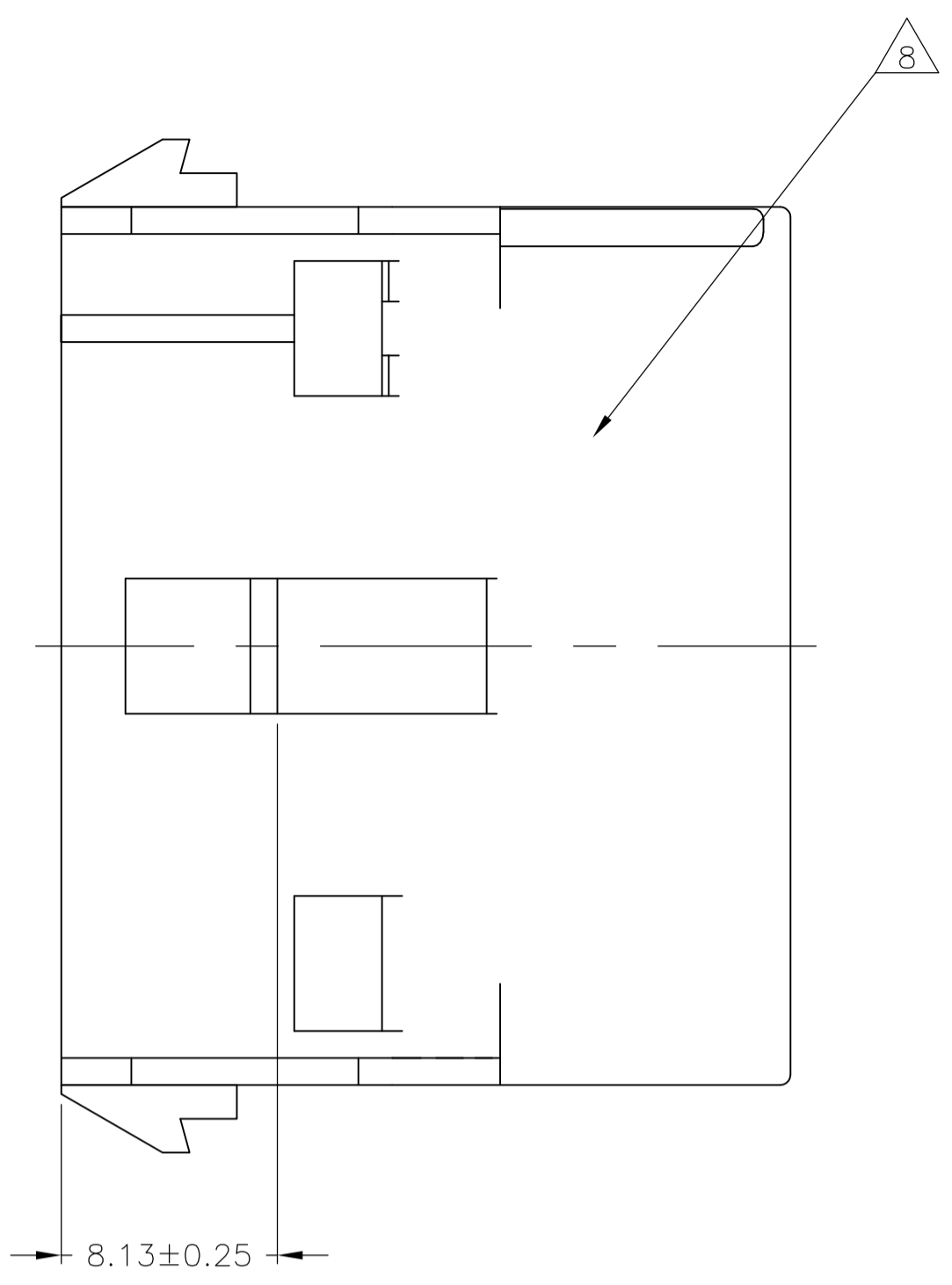
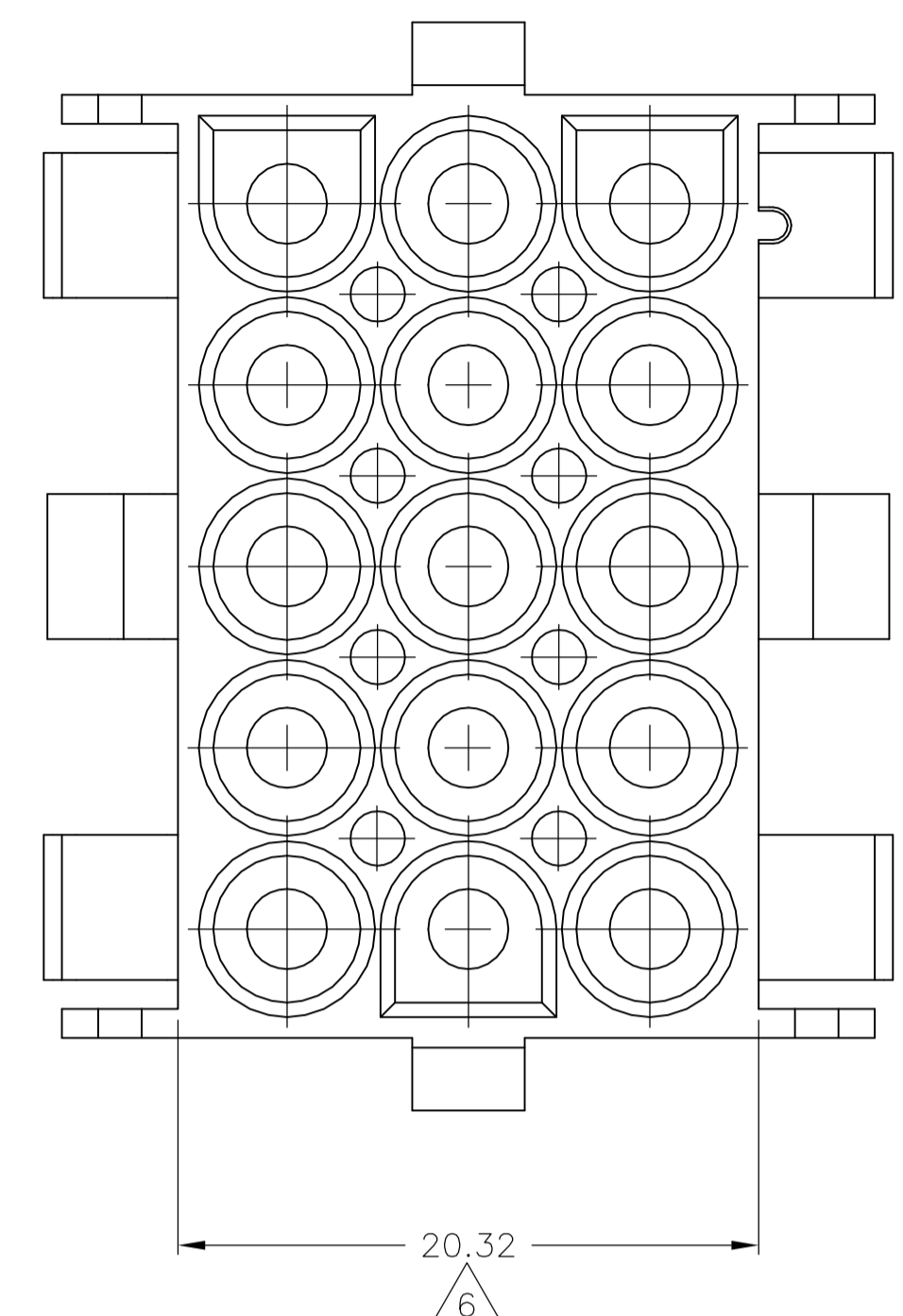
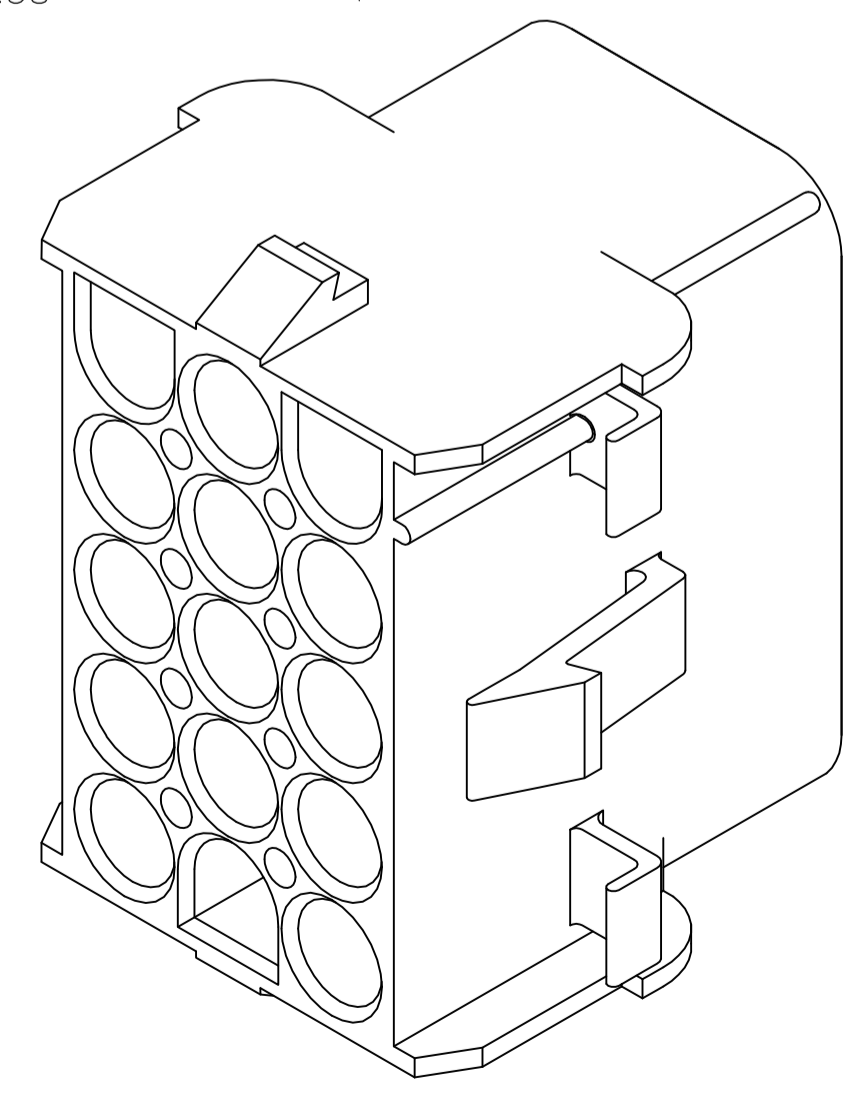
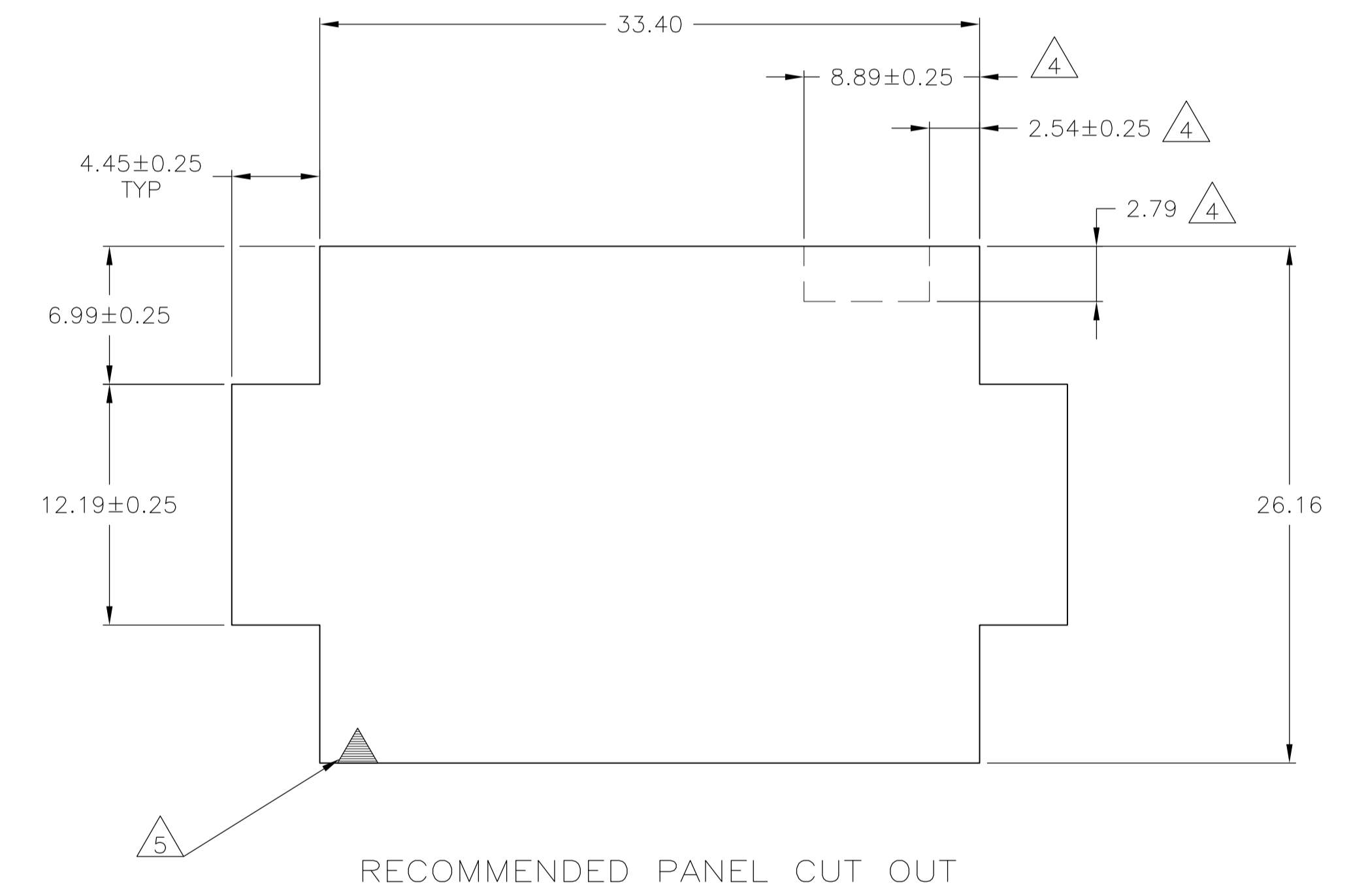
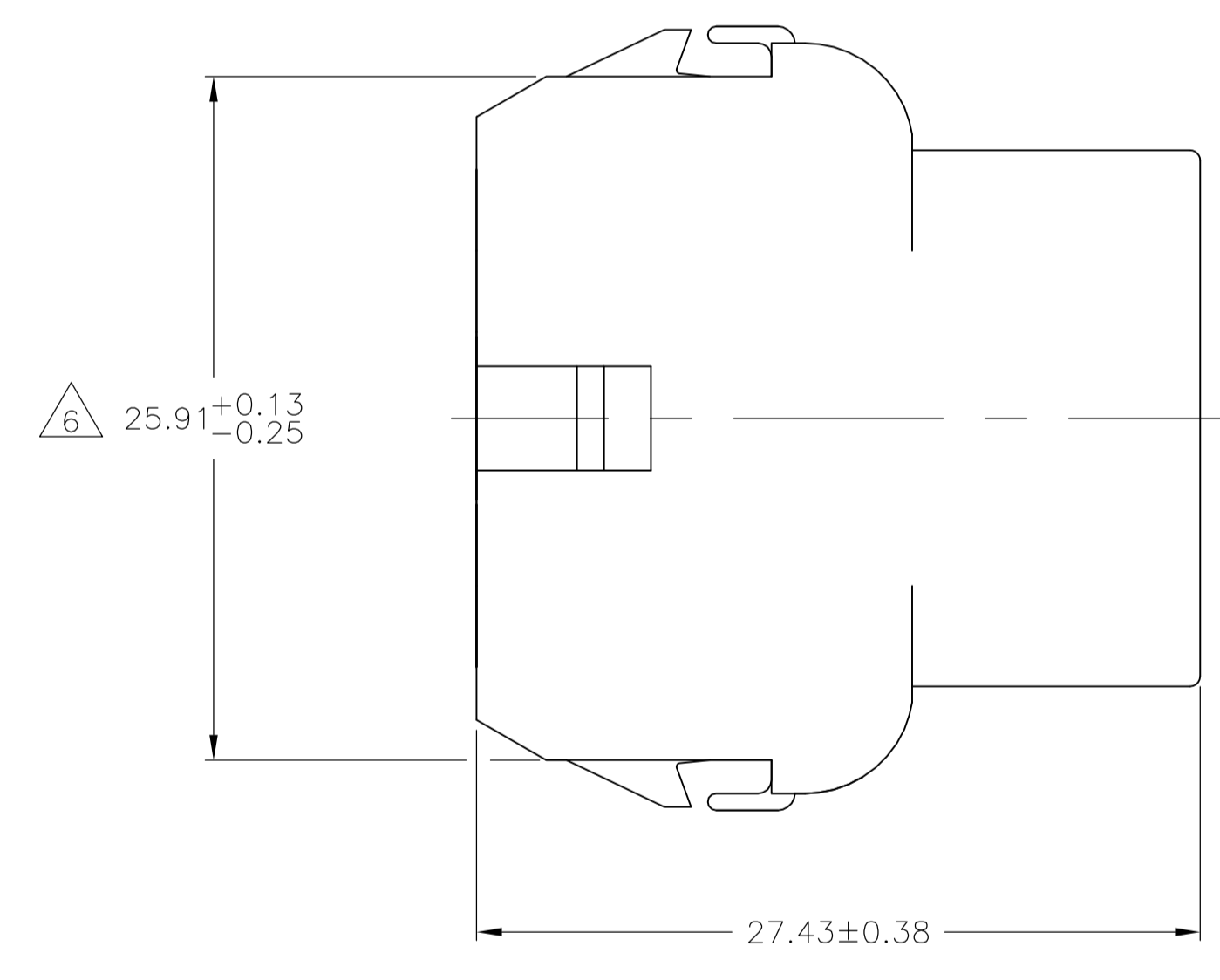
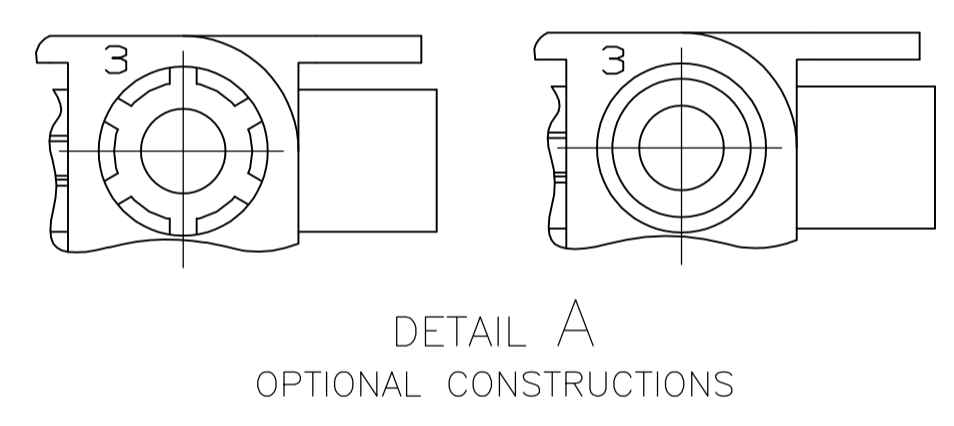


LOC		DIST		REVISIONS			
CM	00	REV	DATE	DESCRIPTION	DATE	BY	CHK
		AJ2	11MAR11	REVISED PER ECO-11-004587		RK	HMR



1. MATES WITH APPROPRIATE UNIVERSAL MATE-N-LOK™ PLUG.
 2. RECOMMENDED PANEL THICKNESS 0.76 - 2.29.
 3. PANEL MUST BE PUNCHED SO THAT THE HOUSING ENTERS THE PANEL IN THE SAME DIRECTION AS THE PUNCH.
- △ 4 OPTIONAL FOR KEYING HOUSING IN PANEL.
- △ 5 CIRCUIT NUMBER 1 LOCATION.
- △ 6 DIMENSION INDICATED IS AS MOLDED. ADDITIONAL GROWTH DUE TO SUBSEQUENT MOISTURE ABSORPTION MAY OCCUR.
- △ 7 FOUR RIBS EQUALLY SPACED, NO SPECIFIC ORIENTATION. NO RIBS OR SIX RIBS EQUALLY SPACED, NO SPECIFIC ORIENTATION, OPTIONAL.
- △ 8 UNDERWRITERS RECOGNIZED COMPONENT LOGO AND CSA CERTIFICATION LOGO TO BE LOCATED ONCE EACH ON SIDE OF HOUSING.
- △ 9 OBSOLETE PARTS: OBSOLETE CIS STREAMLINING PER D.RENAUD/D.SINISI



6.99	.275	33.40	1.315
4.45	.175	33.02	1.300
2.79	.110	27.43	1.080
2.54	.100	26.16	1.030
2.29	.090	25.91	1.020
0.76	.030	20.32	.800
0.38	.015	12.19	.480
0.25	.010	8.89	.350
0.13	.005	8.13	.320
MM	IN	MM	IN

CONVERSION TABLE

Color	Part No
BLACK	1-480711-9
GRAY	1-480711-8
BLUE	1-480711-6
GREEN	1-480711-5
YELLOW	1-480711-4
ORANGE	1-480711-3
RED	1-480711-2
BROWN	1-480711-1
NATURAL	1-480711-0
COLOR	PART NO

△ 9 OBSOLETE

△ 9 SUPERSEDED BY 1-480711-0

△ 9 SUPERSEDED BY 1-480711-0

THIS DRAWING IS A CONTROLLED DOCUMENT.

DIMENSIONS: mm	TOLERANCES UNLESS OTHERWISE SPECIFIED:	DIN K. WHITAKER 29JUL2004	NAME
0. PLC ± -	1. PLC ± -	CHK S. RIDGILL 29JUL2004	APVD S. RIDGILL 29JUL2004
2. PLC ± ± 0.13	3. PLC ± ± -	PRODUCT SPEC	APPLICATION SPEC
4. PLC ± ± -	ANGLES ± 0°30'	SIZE	CAGE CODE
MATERIAL NYLON. UL94V-2	FINISH -	WEIGHT	DRAWING NO
			RESTRICTED TO

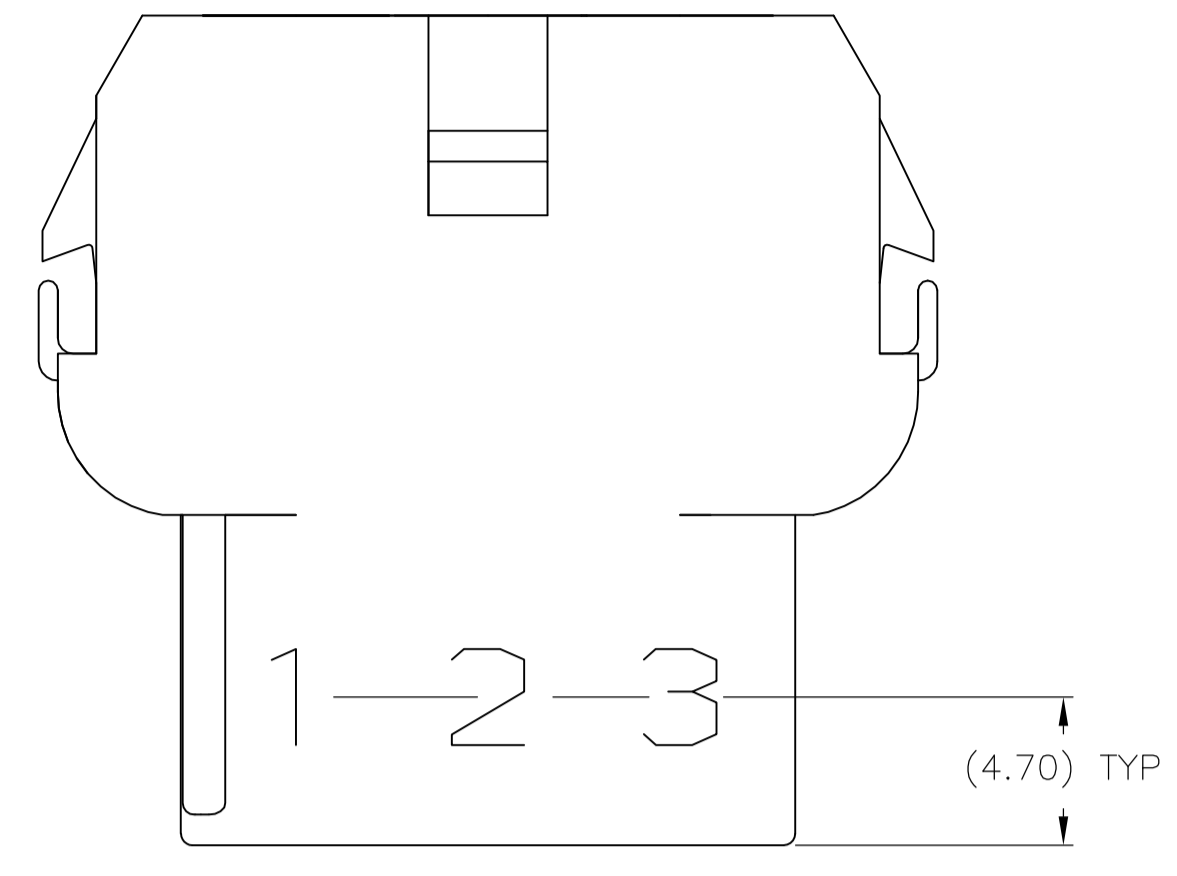
METRIC

STE TE Connectivity

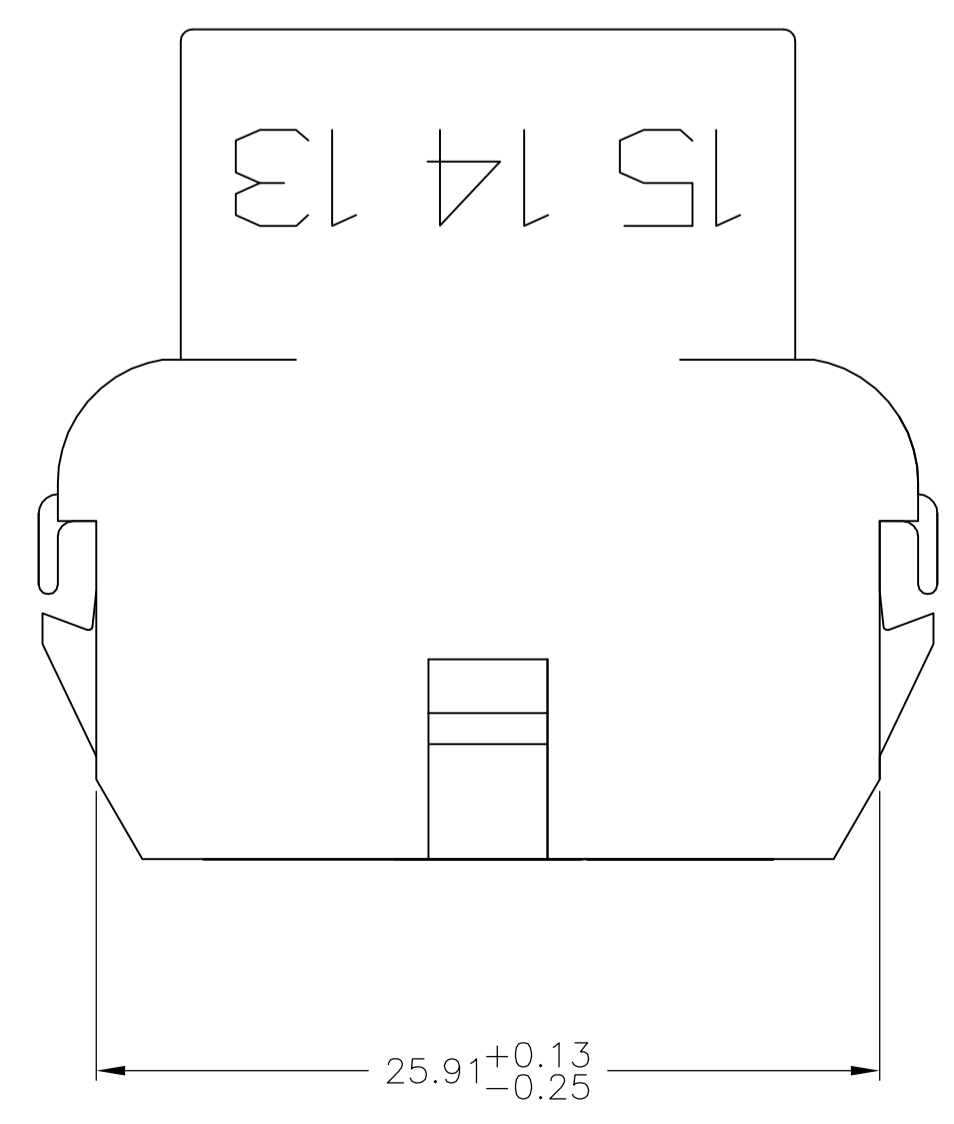
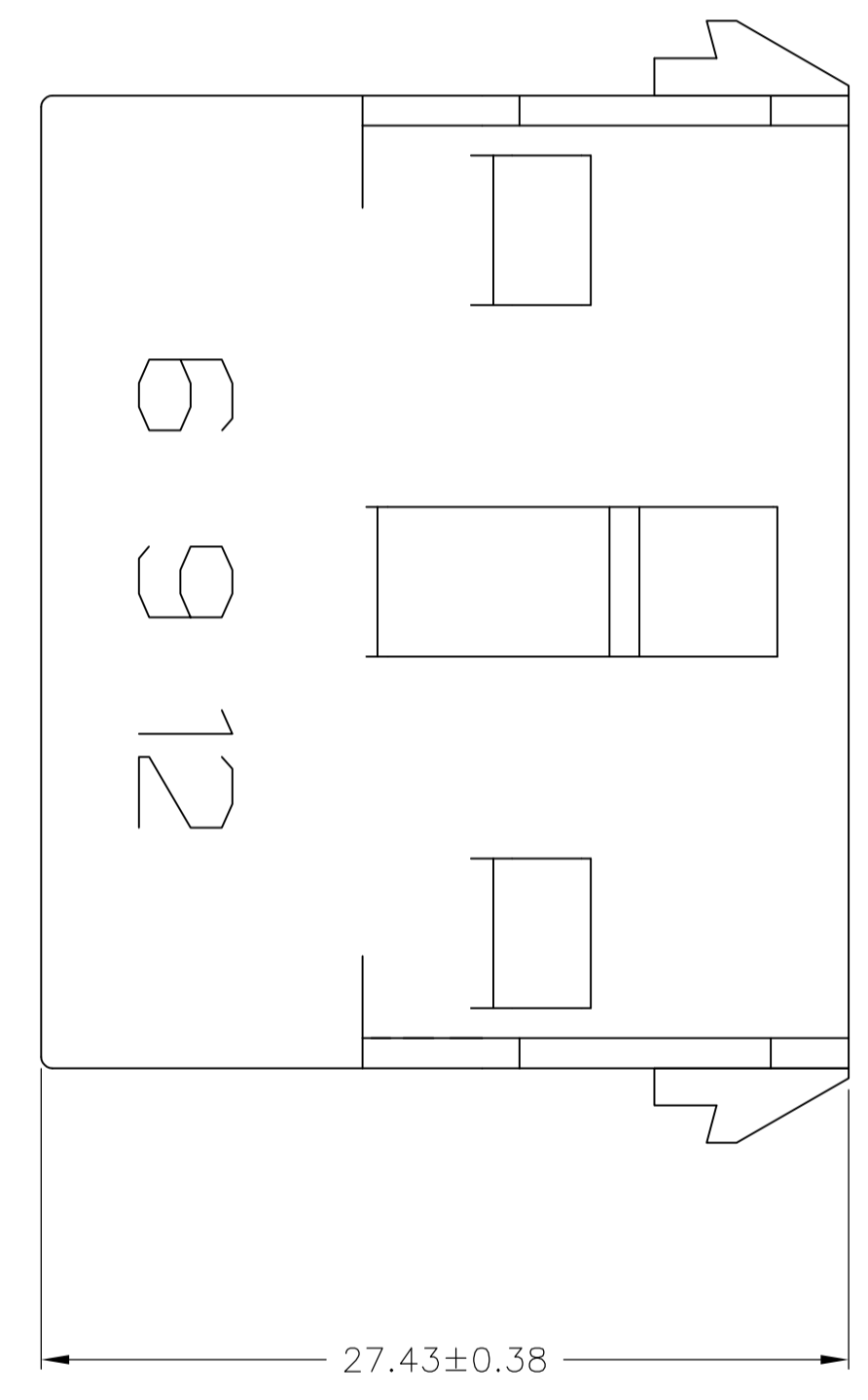
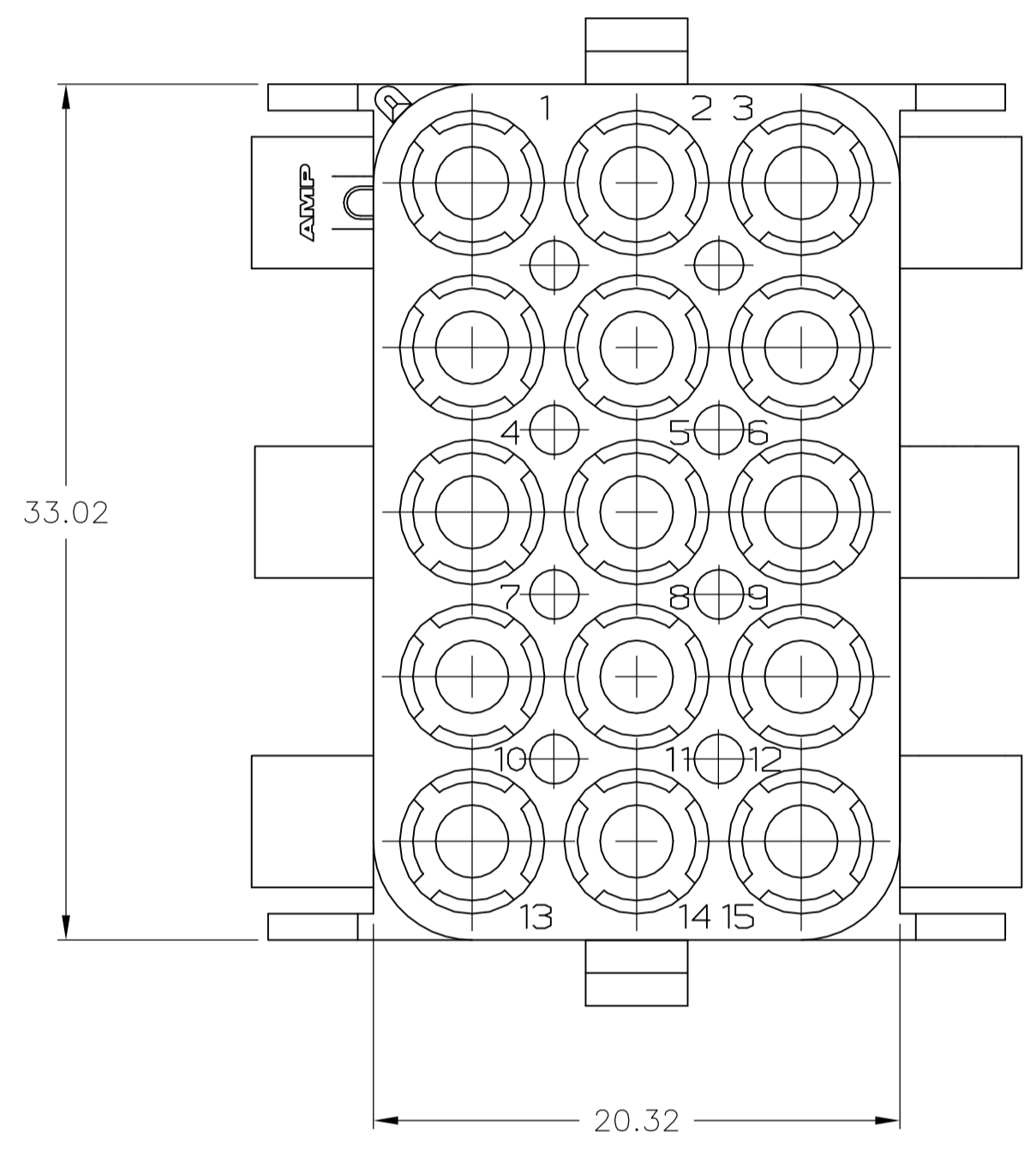
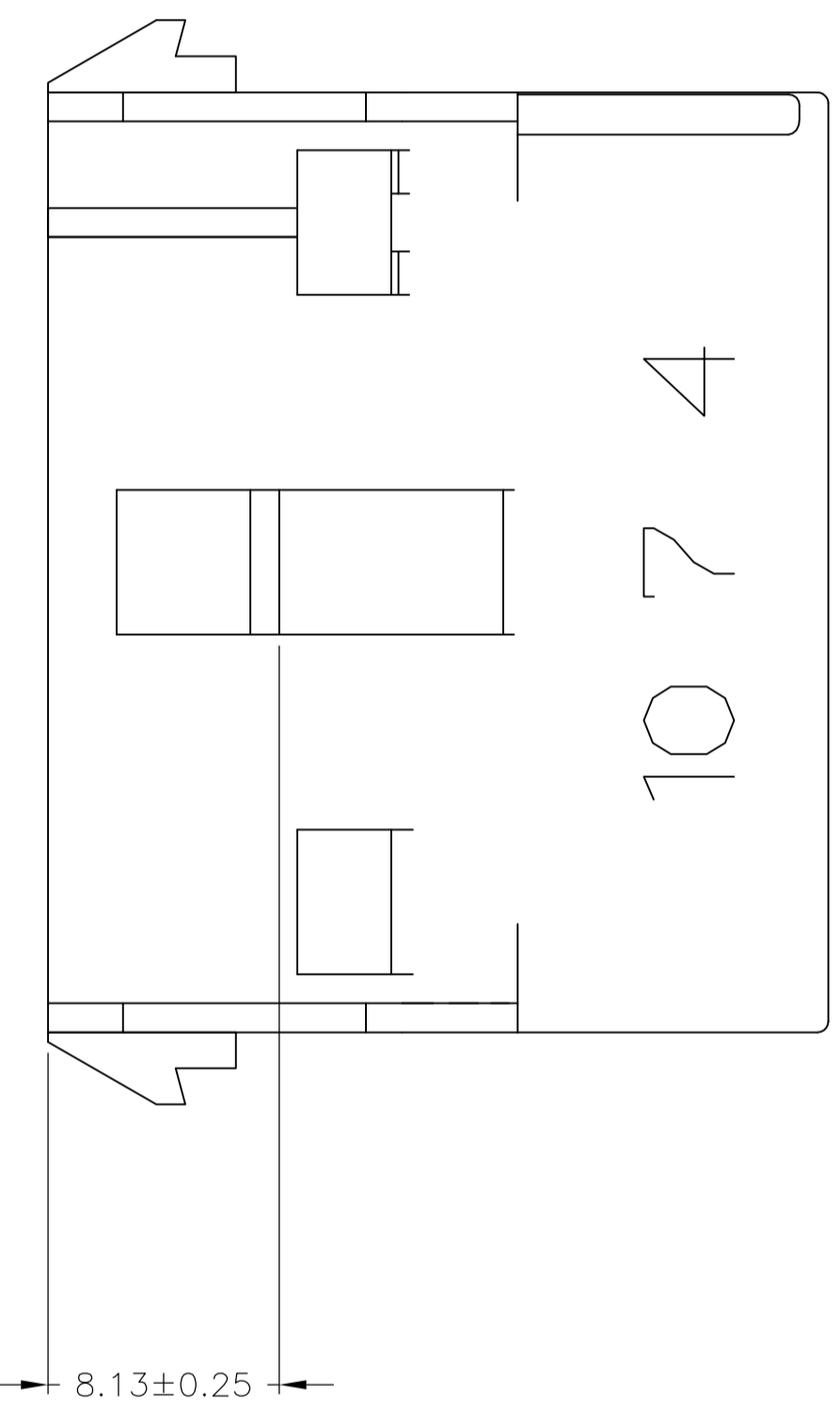
CAP, 15 CIRCUIT, UNIVERSAL MATE-N-LOK™

SCALE 4:1 SHEET 1 OF 2 REV AJ2

LOC		DIST		REVISIONS				
CM	00	P	LTR	DESCRIPTION	DATE	DN	APVD	
-	-	-	-	SEE SHEET 1	-	-	-	

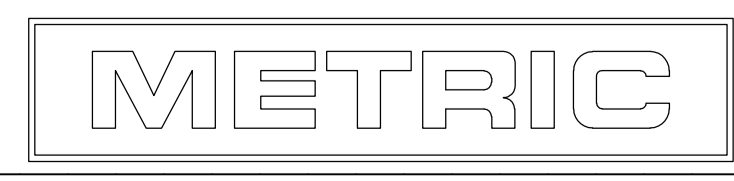


1. STAMP NUMBERS 3.18 HIGH AT WIRE END OF HOUSING (12 POINT DAVID TYPE); CLARIFICATION MARKS UNDER THE 6 & 9.
2. CHARACTERS TO BE STAMPED ON HOUSING IN A MANNER AS TO BE READ FROM WIRE END ONLY.
3. VIOLET, BLACK, BROWN, AND BLUE COLORED BLOCKS TO BE STAMPED WITH WHITE CHARACTERS. ALL OTHER COLORED BLOCKS TO BE STAMPED WITH BLACK CHARACTERS.



MM	IN	MM	IN
5.08	.200	-	-
4.70	.185	33.02	1.300
3.18	.125	27.43	1.080
0.38	.015	25.91	1.020
0.25	.010	20.32	.800
0.13	.005	8.13	.320

CONVERSION TABLE



THIS DRAWING IS A CONTROLLED DOCUMENT.

DIMENSIONS: mm	TOLERANCES UNLESS OTHERWISE SPECIFIED:	DIN K. WHITAKER 29JUL2004	NAME
0. PLC ± -	1. PLC ± -	CHK S. RIDGILL 29JUL2004	APVD S. RIDGILL 29JUL2004
2. PLC ± 0.13	3. PLC ± -	PRODUCT SPEC	APPLICATION SPEC
4. PLC ± -	ANGLES ± 0°30'	SIZE	CAGE CODE
MATERIAL NYLON. UL94V-2	FINISH -	WEIGHT -	DRAWING NO. 480711
CUSTOMER DRAWING		SCALE 4:1	SHEET 2 OF 2

NATURAL 2-480711-0
 COLOR PART NO

STE TE Connectivity

CAP, 15 CIRCUIT, UNIVERSAL MATE-N-LOK™

RESTRICTED TO